

RCI YD30 Series

Electronic locks



Advantages at a glance

- Door misalignment correction ability 5/16"
- Release under side load of up to 1350 lbf (6,000N)
- Dual voltage 12-24 VDC self selecting
- Holding force of 2250 lbf
- Fail-safe: releases instantly when power is disconnected
- Fail alarm: may be released upon activation of fire alarm
- Easily converts from fail safe to fail secure
- Designed for single (YD30S) or double (YD30D) acting doors
- Perfect for framed and frameless glass doors
- Low standby current draw (40mA)
- Suitable for use on fire doors (UL10C)
- Versatile installation



YD30 Series - Reliable, secure, convenient

The YD30 series electronic locks are motor driven electronic locks that use a collapsing mechanism that is deadbolted when locked. It is designed to secure commercial single or double acting doors. The locks solve two significant challenges found with door locking:

- 1) align a misaligned door
- 2) release when requested, even with excessive load on the door

The YD30 series gives the user the ability to control access in and around a facility and provide traffic reports when desired. Additionally, the YD30 series can be used in a more straightforward system where controlling access to a single door can be implemented with a stand-alone RTE access system.

YD30 Series is available in two models:



YD30D Double

A high traffic, low voltage, motor-driven door lock for 180° swing doors. It is typically activated by access control systems and used in commercial double entrance doors in either mortise or surface installation as well as swing-through glass doors where security is paramount, convenience required, and appearances important.

The pivot action of the YD30D bolt pin will 'grab' the strike plate and pull the door into position for a misalignment up to 16mm (+ -8mm, + -5/16")

Found in most market sectors but primarily in commercial, healthcare, airports and government.



YD30S Single

A high traffic, low voltage, motor-driven door lock for 90° doors. It is typically activated by access control systems and used in single acting pedestrian doors where door alignment or releasing when requested under side load is required.

The pivot action of the YD30S bolt pin will 'grab' the strike plate and pull the door into position for a misalignment up to 8mm (5/16").

It is commonly seen in mortise installations on office doors but also used on single acting glass doors where security is paramount, convenience required, and appearances important.

YD30 Series benefits

Door alignment	<ul style="list-style-type: none"> • Door misalignment of up to 16mm (+/-8mm) is corrected
Side load release	<ul style="list-style-type: none"> • The door can have in excess of 1322 lbs (600Kg) being applied and it will still release instantly when requested
High security	<ul style="list-style-type: none"> • Automatic deadbolting • 2204 lbs (1,000 Kg) holding force • 10mm thick stainless steel bolt pin
Electronic convenience	<ul style="list-style-type: none"> • Input voltage from 12VDC – 24VDC • Less than 50mA standby current • Reverse polarity and transient protection • Multiple attempts to lock
Simple configuration	<ul style="list-style-type: none"> • Convert from Fail Safe to Fail Secure by repositioning a single DIP Switch
Dual monitoring	<ul style="list-style-type: none"> • Door and bolt positions
Versatile installation	<ul style="list-style-type: none"> • Mortise mount horizontally or vertically, on double acting doors • Installation to metal doors and frames with the addition of the YD30SD208 installation tabs (sold separately) • Surface mount with the aid of the accessories, including mounting onto glass • User selectable fail-safe and fail-secure modes

Technical data

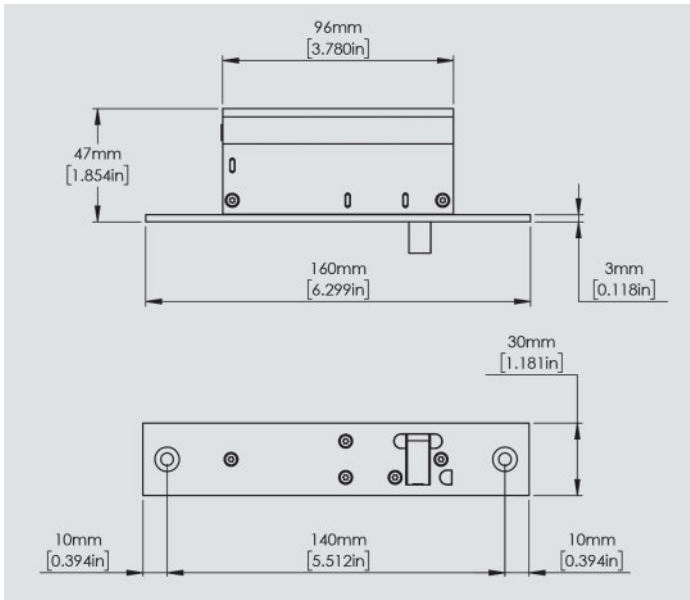
Specifications

Door Gap:	• 6mm maximum
Holding force:	• 2204 lbs (1,000 Kg)
Sideload (RTE)	• 1322 lbs (600Kg)
Endurance	• Cycle tested to 1,000,000 operations
Bolt pin	• 10mm thick, 13mm extension
Alignment	• 8mm misalignment correction
Voltage	• 12-24 VDC
Current usage	• Standby: 40mA@12VDC, 25mA@24VDC • Peak: 0.75A@12VDC, 0.4A@24VDC
Monitor switch ratings	• 30VDC max, 100mA max
Materials	• Lock / Strike Plate: Stainless Steel 304 Bolt Pin: Stainless Steel 17-4PH
Compliance & certification	• ANSI/UL294 7th Edition, CE, RoHS 2, FCC Part 15 / IC RCM, • UL10C For use in vertical orientation with any UL swinging type fire door frame rated up to and including 3 hours
Package contents YD30S & YD30D	• Lock with Long Strike Plate
Dimensions: YD30D	• 10" x 1-1/4" x 1-7/8" (255 x 30 x 47mm)
Dimensions: YD30S	• 6-1/4" x 1-1/4" x 1-7/8" (160 x 30 x 47mm)
Warranty	• 3 years

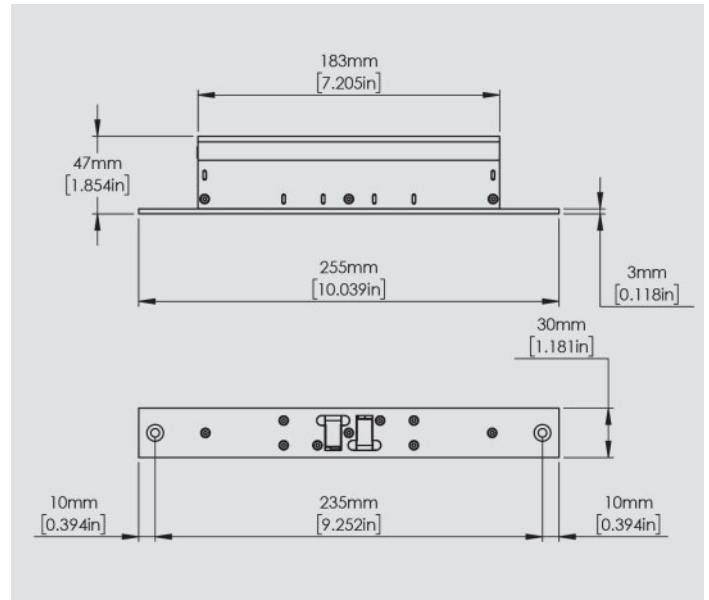
Accessories

	YD30D	YD30S
Long Strike Plate	YD30D233	YD30S223
Housing	YD30D234	YD30S224
Dress Plate	YD30D236	YD30S226
YD30X Wire loom	YD30SD209	YD30SD209
Fitting tab kit	YD30SD208	YD30SD208

Diagrams



YD30S



YD30D

Subject to technical alterations.

Any questions? We would be happy to advise you.

Contact us at: 1 888 539 7226